

High Flow Series Artesian 2 Pond / Waterfall Pumps 2" union inlet & outlet



Product Categories: [Pumps for Koi Ponds and Waterfalls](#)

Product Tags: [Artesian2 High flow](#), [artesian2 low rpm](#)

Product Page: <https://hanoverkoifarms.com/product/high-flow-series-artesian-2-pondwaterfall-pumps/>

Product Variants

- High Flow Series Artesian 2 Pond / Waterfall Pumps 2" union inlet & outlet - 2HP (12900 GPH @20' head) ()
- High Flow Series Artesian 2 Pond / Waterfall Pumps 2" union inlet & outlet - 1/2HP (7200 GPH @10' head) ()
- High Flow Series Artesian 2 Pond / Waterfall Pumps 2" union inlet & outlet - 1 1/2HP (11520 GPH @15' head) ()
- High Flow Series Artesian 2 Pond / Waterfall Pumps 2" union inlet & outlet - 1 HP (9600 GPH @15' head) ()
- High Flow Series Artesian 2 Pond / Waterfall Pumps 2" union inlet & outlet - 3/4HP (9000 GPH @10' head) ()
- High Flow Series Artesian 2 Pond / Waterfall Pumps 2" union inlet & outlet - 3HP (14400 GPH @20' head) ()

Product Summary

High Flow Series Artesian 2 for the utmost in electrical efficiency when higher flow rates are desired in a given size pump. This pump will save you tons in electricity costs! The Artesian 2 is one of our best selling self-priming inline pumps.

2" union inlet & outlet

Select a size from the menu below according to your system's flow requirements.

FREE SHIPPING

Product Description

The Artesian2 pumps are molded of tough glass reinforced polypropylene. They are extremely strong and built for long term service. Their good self-priming characteristics allow them to be positioned above the supply source. The carefully designed internal water passages provide for high flow rates with minimal water noise. An easy open Lexan lid provides easy viewing and access to the oversized strainer basket. They are available in 1/8 to 1/2 hp at 1725 rpm and 1/2 to 3 hp at 3450 rpm.

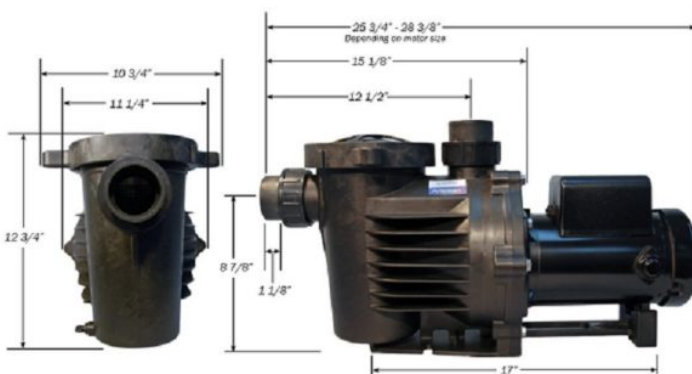
2" union inlet & outlet

PerformancePro Pumps are easy to install, inexpensive to operate, and a joy to own.

Product Attributes

- Dimensions: N/A
- Weight: 45 lbs
- Select the Proper GPH rated Pump: 1/2HP (7200 GPH @10' head), 3/4HP (9000 GPH @10' head), 1 HP (9600 GPH @15' head), 1 1/2HP (11520 GPH @15' head), 2HP (12900 GPH @20' head), 3HP (14400 GPH @20' head)

Product Gallery





Performance Pro Pumps

Simply the best combination of performance, reliability, and energy savings!

Features & Benefits

- ▶ Money saving high efficiency pump and motor units.
- ▶ Wide range of performance conditions can be matched.
- ▶ Self-priming design allows for suction lift placement.
- ▶ Long life corrosion resistant Stainless Steel shaft seals.
- ▶ Two inch unions and tailpieces are included for easy installation.
- ▶ Ready for hard wiring or can choose factory attached power cords.
- ▶ Top-of-the-line U.S. motors. All 1725 rpm units are totally enclosed for excellent protection and reliability.
- ▶ Both pump and motor are designed for quiet operation.
- ▶ Salt water kit available.

Artesian²

The Artesian² pumps are molded of tough glass reinforced polypropylene. They are extremely strong and built for long term service. Their good self-priming characteristics allow them to be positioned above the supply source. The carefully designed internal water passages provide for high flow rates with minimal water noise. An easy open Lexan lid provides easy viewing and access to the oversized strainer basket. They are available in 1/8 to 1/2 hp at 1725 rpm and 1/2 to 3 hp at 3450 rpm.

PerformancePro Pumps are easy to install, inexpensive to operate, and a joy to own.



NOTE: Comes with 2" slip fittings


MODEL	HP	TYPE	RPM	VOLTAGE	HZ	MAX WATTS*	WATTS @	
							MAX HEAD*	MAX FLOW**
A2-1/8-39	1/8	1Ø TEFC	1725	115/230	50/60	202	112 @ 17 ft.	165 @ 3000 GPH @ 3'
A2-1/4-47	1/4	1Ø TEFC	1725	115/230	50/60	290	170 @ 22 ft.	250 @ 4680 GPH @ 4'
A2-1/4-58	1/4	1Ø TEFC	1725	115/230	50/60	360	180 @ 23 ft.	320 @ 5760 GPH @ 5'
A2-1/3-63	1/3	1Ø TEFC	1725	115/230	50/60	450	200 @ 26 ft.	440 @ 6300 GPH @ 6'
A2-1/2-76	1/2	1Ø TEFC	1725	115/230	50/60	630	260 @ 26 ft.	630 @ 7560 GPH @ 6'

MODEL	HP	TYPE	RPM	VOLTAGE	HZ	MAX WATTS/AMPS*	AMPS @ 230V @	
							MAX HEAD*	MAX FLOW**
A2-3/4HF	3/4	1Ø ODP	3450	115/208-230	60	1270/5.6	2.7 @ 55 ft.	4.8 @ 8880 GPH @ 13'
A2-1HF	1	1Ø ODP	3450	115/208-230	60	1640/7.3	3.5 @ 55 ft.	6.4 @ 9040 GPH @ 13'
A2-1/2HF	1 1/2	1Ø ODP	3450	115/208-230	60	1940/9.0	5.9 @ 54 ft.	8.4 @ 11,400 GPH @ 17'
A2-2HF	2	1Ø ODP	3450	208-230	60	2300/10.0	5.5 @ 55 ft.	9.8 @ 12,840 GPH @ 20'
A2-3HF	3	1Ø ODP	3450	208-230	60	3100/13.6	7.7 @ 64 ft.	13.6 @ 16,040 GPH @ 24'

MODEL	HP	TYPE	RPM	VOLTAGE	HZ	MAX WATTS/AMPS*	AMPS @ 230V @	
							MAX HEAD*	MAX FLOW**
A2-1/2HH	1/2	1Ø ODP	3450	115/208-230	60	940/4.2	2.4 @ 54 ft.	3.3 @ 6660 GPH @ 7'
A2-3/4HH	3/4	1Ø ODP	3450	115/208-230	60	1250/5.6	3.2 @ 70 ft.	4.2 @ 7140 GPH @ 8'
A2-1HH	1	1Ø ODP	3450	115/208-230	60	1680/7.4	4.1 @ 78 ft.	5.8 @ 8580 GPH @ 10'
A2-1/2HH 1/2	1 1/2	1Ø ODP	3450	115/208-230	60	1970/9.1	5.5 @ 83 ft.	7.5 @ 9600 GPH @ 13'
A2-2HH	2	1Ø ODP	3450	208-230	60	2220/9.9	5.0 @ 86 ft.	8.4 @ 11,040 GPH @ 16'
A2-3HH	3	1Ø ODP	3450	208-230	60	2900/13.1	7.1 @ 93 ft.	12.2 @ 12,000 GPH @ 18'

*Watt and Amp ratings are typical, but can vary with different motors and operating voltages.

For More Information, give us a call or visit us on the Web: 503.356.5888
www.performancepropumps.com



For performance that's OFF-THE-CHART of ordinary pumps!

Specifications

Artesian² Low RPM

MODEL	HP	TYPE	RPM	VOLTAGE	HZ	MAX WATTS	WATTS @ MAX HEAD*	WATTS @ MAX FLOW**	LIST PRICE
A2-1/8-39	1/8	1Ø TEFC	1725	115/230	50/60	202	112 @ 17 ft.	165 @ 3000 GPH @ 3'	\$679.00
A2-1/4-47	1/4	1Ø TEFC	1725	115/230	50/60	290	170 @ 22 ft.	250 @ 4680 GPH @ 4'	\$710.00
A2-1/4-58	1/4	1Ø TEFC	1725	115/230	50/60	360	180 @ 23 ft.	320 @ 5760 GPH @ 5'	\$729.00
A2-1/3-63	1/3	1Ø TEFC	1725	115/230	50/60	450	200 @ 26 ft.	440 @ 6300 GPH @ 6'	\$787.00
A2-1/2-76	1/2	1Ø TEFC	1725	115/230	50/60	630	260 @ 26 ft.	630 @ 7560 GPH @ 6'	\$817.00

Artesian² High Flow

MODEL	HP	TYPE	RPM	VOLTAGE	HZ	MAX WATTS/AMPS*	AMPS @ 230V @ MAX HEAD*	AMPS @ 230V @ MAX FLOW**	LIST PRICE
A2-1/2HF	1/2	1Ø ODP	3450	115/230	60	930/4.2	2.2 @ 45 ft.	3.5 @ 7380 GPH @ 8'	\$649.00
A2-3/4HF	3/4	1Ø ODP	3450	115/208-230	60	1270/5.6	2.7 @ 55 ft.	4.8 @ 8880 GPH @ 11'	\$708.00
A2-1HF	1	1Ø ODP	3450	115/208-230	60	1640/7.3	3.5 @ 65 ft.	6.4 @ 9040 GPH @ 13'	\$790.00
A2-1/2HF 1/2	1 1/2	1Ø ODP	3450	115/208-230	60	1940/9.0	5.9 @ 54 ft.	8.4 @ 11,400 GPH @ 17'	\$823.00
A2-2HF	2	1Ø ODP	3450	208-230	60	2300/10.0	5.5 @ 55 ft.	9.8 @ 12,840 GPH @ 20'	\$911.00
A2-3HF	3	1Ø ODP	3450	208-230	60	3100/13.6	7.7 @ 64 ft.	13.6 @ 16,040 GPH @ 24'	\$969.00

Artesian² High Head

MODEL	HP	TYPE	RPM	VOLTAGE	HZ	MAX WATTS/AMPS*	AMPS @ 230V @ MAX HEAD*	AMPS @ 230V @ MAX FLOW**	LIST PRICE
A2-1/2HH	1/2	1Ø ODP	3450	115/230	60	940/4.2	2.4 @ 54 ft.	3.3 @ 6660 GPH @ 7'	\$649.00
A2-3/4HH	3/4	1Ø ODP	3450	115/208-230	60	1250/5.6	3.2 @ 70 ft.	4.2 @ 7140 GPH @ 8'	\$708.00
A2-1HH	1	1Ø ODP	3450	115/208-230	60	1680/7.4	4.1 @ 78 ft.	5.8 @ 8580 GPH @ 10'	\$780.00
A2-1/2HH 1/2	1 1/2	1Ø ODP	3450	115/208-230	60	1970/9.1	5.5 @ 83 ft.	7.5 @ 9600 GPH @ 13'	\$823.00
A2-2HH	2	1Ø ODP	3450	208-230	60	2220/9.9	5.0 @ 86 ft.	8.4 @ 11,040 GPH @ 16'	\$911.00
A2-3HH	3	1Ø ODP	3450	208-230	60	2900/13.1	7.1 @ 93 ft.	12.2 @ 12,000 GPH @ 18'	\$999.00

Features & Options

- Designed to operate at any point on specified performance curve.
- Minimum recommended continuous flow rate of five gallons per minute.
- 2" female NPT suction and discharge ports.
- All 1725 RPM motors are enclosed for extra protection and long life.

- 316 stainless steel shaft seal.
- A 16 AWG, 9 ft. cord with 115 volt plug is optional (1725 rpm, 1/2HP head).
- A 12 AWG, 9 ft. cord with 115 volt plug is optional (3450 rpm, 1hp head).
- Saltwater kits available for an additional \$91.00.

- A \$3.00 handling & packaging fee applies to each unit.
- 3 year limited warranty for fresh water applications.
- 1 year limited warranty for salt water applications.

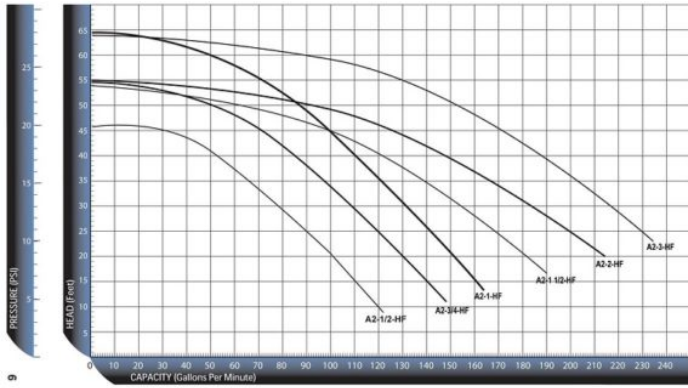
** Watt and Amp draw ratings are typical but may vary with alternate motors and operating voltages.

PerformancePro Pumps Inc.



Pump Model: Artesian2 High Flow
Impeller: Various RPM: 3450
Horsepower: 1/2-3 Date: 07/01/2011

For performance that's OFF THE CHARTS of ordinary pumps!



Ambient Clear Water SP GR 1.0