

High Flow Series ArtesianPro Pond / Waterfall Pumps 3" union inlet & outlet



Product Categories: [Pumps for Koi Ponds and Waterfalls](#)

Product Tags: [Artesian2 High flow](#), [artesian2 low rpm](#)

Product Page: <https://hanoverkoifarms.com/product/high-flow-series-artesianpro-pond-waterfall-pumps/>

Product Variants

- High Flow Series ArtesianPro Pond / Waterfall Pumps 3" union inlet & outlet - 2HP (15600 GPH @10' head) ()
- High Flow Series ArtesianPro Pond / Waterfall Pumps 3" union inlet & outlet - 1/2HP (9000 GPH @5' head) ()
- High Flow Series ArtesianPro Pond / Waterfall Pumps 3" union inlet & outlet - 1 1/2HP (13800 GPH @10' head) ()
- High Flow Series ArtesianPro Pond / Waterfall Pumps 3" union inlet & outlet - 1HP (12600 GPH @10' head) ()
- High Flow Series ArtesianPro Pond / Waterfall Pumps 3" union inlet & outlet - 3/4HP (10800 GPH @5' head) ()
- High Flow Series ArtesianPro Pond / Waterfall Pumps 3" union inlet & outlet - 5HP (18600 GPH @20' head) ()
- High Flow Series ArtesianPro Pond / Waterfall Pumps 3" union inlet & outlet - 3HP (17400 GPH @15' head) ()

Product Summary

The High Flow Series is ideal for when higher than normal flow rates are needed. **The ArtesianPro features 3 inch suction and discharge ports, and a 3 year warranty.**

Select a size from the menu below according to your system's flow requirements.

FREE SHIPPING

Product Description

PerformancePro ArtesianPro is the pump you need for your higher flow applications **with 3" inlet & outlet**. You get the safety and convenience of self-priming along with great energy savings. For ease of use, it provides a large strainer basket, and an easy open Lexan lid. The specially designed lid and clamp ring insure a positive seal with very little o-ring wear.

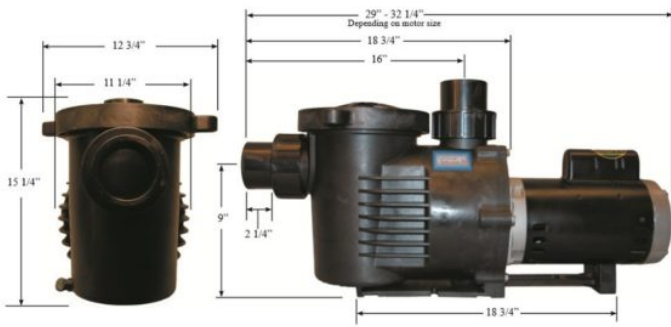
- Money saving high efficiency pump and motor units. **Quick disconnect 3" unions are included.**
- Long life corrosion resistant Stainless Steel shaft seals.
- Impeller interchangeability allows you to easily change your pump's performance.
- Top-of-the-line U.S. motors.
- Units offer quiet operation.
- Safety first - self-priming (external) pumps help protect both you from annoying and potentially dangerous oil or electrical leaks.
- 3 year limited warranty.(for fresh water application)

Product Attributes

- Dimensions: N/A
- Weight: 45 lbs
- Select the Proper GPH rated Pump: 1/2HP (9000 GPH @5' head), 3/4HP (10800 GPH @5' head), 1HP (12600 GPH @10' head), 1 1/2HP (13800 GPH @10' head), 2HP (15600 GPH @10' head), 3HP (17400 GPH @15' head), 5HP (18600 GPH @20' head)

Product Gallery





* Measurements given using 3" tail piece.



Artesian Pro For performance that's OFF THE CHART of ordinary pumps!

Specifications

ArtesianPro Low RPM

MODEL	HP	TYPE	RPM	VOLTAGE	HZ	MAX WATT'S	WATT'S @ MAX. HEAD**	WATT'S @ MAX. FLOW**	LIST PRICE
AP 1/4-90	1/4	10 TEFC	1725	115/230	50/60	370	230 @ 21 ft.	310 @ 8000 GPH @ 2'	\$605.00
AP 1/2-73	1/2	10 TEFC	1725	115/230	50/60	460	240 @ 23 ft.	410 @ 7320 GPH @ 3'	\$667.00
AP 1/2-60	1/2	10 TEFC	1725	115/230	50/60	620	330 @ 24 ft.	580 @ 6240 GPH @ 4'	\$1016.00
AP 3/4-105	3/4	10 TEFC	1725	115/230	50/60	730	390 @ 23 ft.	710 @ 10,500 GPH @ 5'	\$1,115.50
AP 1-120	1	10 TEFC	1725	115/230	50/60	970	480 @ 24 ft.	970 @ 12,000 GPH @ 6'	\$1,171.00

ArtesianPro High Flow

MODEL	HP	TYPE	RPM	VOLTAGE	HZ	MAX WATT @ AMP'S	AMP'S @ 200V @ MAX. HEAD**	AMP'S @ 200V @ MAX. FLOW**	LIST PRICE
AP 1/2-HF	1/2	10 CDP	3450	115/230	60	960 / 4.3	2.8 @ 38 ft.	3.3 @ 8680 GPH @ 3'	\$683.00
AP 3/4-HF	3/4	10 CDP	3450	115/230	60	1230 / 5.5	3.4 @ 40 ft.	4.2 @ 10,500 GPH @ 5'	\$925.00
AP 1-HF	1	10 CDP	3450	115/230	60	1750 / 7.9	4.1 @ 45 ft.	6.0 @ 13,500 GPH @ 7'	\$1,041.50
AP 1 1/2-HF	1 1/2	10 CDP	3450	208-230*	60	2010 / 9.2	5.0 @ 49 ft.	6.0 @ 13,680 GPH @ 8'	\$1,081.50
AP 2-HF	2	10 CDP	3450	208-230*	60	2300 / 10.2	5.5 @ 54 ft.	9.2 @ 15,540 GPH @ 10'	\$1,162.00
AP 3-HF	3	10 CDP	3450	208-230*	60	3100 / 13.4	6.7 @ 59 ft.	13.1 @ 17,320 GPH @ 13'	\$1,252.50
AP 5-HF	5	10 CDP	3450	208-230	60	4000 / 17.8	9.5 @ 69 ft.	17.3 @ 19,740 GPH @ 15'	\$1,479.00

ArtesianPro High Head

MODEL	HP	TYPE	RPM	VOLTAGE	HZ	MAX WATT @ AMP'S	AMP'S @ 200V @ MAX. HEAD**	AMP'S @ 200V @ MAX. FLOW**	LIST PRICE
AP 1-HH	1	10 CDP	3450	115/230	60	1650 / 7.4	4.0 @ 75 ft.	5.4 @ 9750 GPH @ 4'	\$1,041.50
AP 1 1/2-HH	1 1/2	10 CDP	3450	208-230*	60	1960 / 8.8	5.0 @ 79 ft.	6.7 @ 10,950 GPH @ 5'	\$1,081.50
AP 2-HH	2	10 CDP	3450	208-230*	60	2300 / 9.9	5.5 @ 81 ft.	7.5 @ 12,450 GPH @ 7'	\$1,162.00
AP 3-HH	3	10 CDP	3450	208-230	60	3100 / 13.4	6.8 @ 90 ft.	11.3 @ 13,350 GPH @ 7'	\$1,252.50
AP 5-HH	5	10 CDP	3450	208-230	60	4400 / 19.2	11.3 @ 93 ft.	17.0 @ 17,220 GPH @ 12'	\$1,479.00

Features & Options

- Designed to operate at any point on specified performance curve.
- Minimum recommended continuous flow rate of five gallons per minute.
- 3 inch suction and discharge ports with quick connect fittings included. 2" or 3" fittings available.
- All 1725 RPM motors are enclosed for extra protection and long life.
- 316 stainless steel smart seat.
- Optional 16 AWG, 5 ft. cord with 115 volt plug available for 1725 rpm, 1/4HP.
- Optional 12 AWG, 5 ft. cord with 115 volt plug available for 1725 rpm, 3/4HP - 1HP, 2450 rpm, 1/2HP.
- Saltwater kits available for an additional \$91.00.
- A \$5.00 handling & packaging fee applies to each unit.
- 3 year limited warranty for fresh water applications.
- 1 year limited warranty for salt water applications.
- Made with care in the U.S.A.
- * 115v available on special order only and amp draw will be higher.
- ** Head and Amp draw ratings are typical, but can vary with different motors and operating voltage.

PerformancePro Pumps Inc.



PerformancePro Pumps

Simply the best combination of performance, reliability, and energy savings!

Features & Benefits

- » Money saving high efficiency pump and motor units
- » Large strainer basket for high flow and less clogging
- » Unions are standard for easy installation
- » Ready for hard wiring or an optional cord and plug
- » Both pump and motor are designed for quiet operation
- » Top-of-the-line motors. All 1725 rpm units are totally enclosed for excellent protection and reliability
- » Saltwater Kit available

ArtesianPro

The ArtesianPro expands on the high efficiency and self-priming advantages of the original Artesian pump series. Designed for quiet operation and enhanced performance the ArtesianPro has 3" ports for great water passage at higher flow rates. A large capacity strainer basket is visible through the clear lexan lid and is readily accessible thanks to the easy to open quick clamp ring. This makes cleaning the basket quick and painless.

Quick connect fittings are included with each pump. Two sizes are standard. Choose from 2" or 3" (which also works for 2 1/2" pipe). Three different series are available to meet the requirements of your particular system. The energy efficient low rpm series are available from 1/4 to 1 hp. The high flow series and the high head series both range from 1 hp to 5 hp.

As always, PerformancePro utilizes the very best materials and components to ensure long term reliability and industry leading performance. Made with care in the USA.

PerformancePro Pumps are easy to install, inexpensive to operate, and a joy to own.



NOTE: Measurements given using a 3" tail piece

MODEL	HP	TYPE	RPM	VOLTAGE	MAX WATTS*	MAX HEAD	MAX FLOW*
AP-1/4-66	1/4	10 TEFC	1725	115/230	370	21 ft.	6600 GPH @ 2'
AP-1/3-73	1/3	10 TEFC	1725	115/230	460	23 ft.	7320 GPH @ 3'
AP-1/2-92	1/2	10 TEFC	1725	115/230	620	24 ft.	9240 GPH @ 4'
AP-3/4-105	3/4	10 TEFC	1725	115/230	730	23 ft.	10,500 GPH @ 4'
AP-1-120	1	10 TEFC	1725	115/230	970	24 ft.	12,000 GPH @ 6'

MODEL	HP	TYPE	RPM	VOLTAGE	MAX AMPS @ 230V*	MAX HEAD	MAX FLOW*
AP-1/2-HF	1/2	10 ODP	3450	115/230	4.3	38 ft.	8880 GPH @ 3'
AP-3/4-HF	3/4	10 ODP	3450	115/230	5.5	40 ft.	10,680 GPH @ 5'
AP-1-HF	1	10 ODP	3450	115/230	7.9	45 ft.	13,500 GPH @ 7'
AP-1 1/2-HF	1 1/2	10 ODP	3450	230	9.2	49 ft.	13,980 GPH @ 8'
AP-2-HF	2	10 ODP	3450	230	10.2	54 ft.	15,540 GPH @ 10'
AP-3-HF	3	10 ODP	3450	230	13.4	58 ft.	17,820 GPH @ 13'
AP-5-HF	5	10 ODP	3450	230	17.6	68 ft.	19,740 GPH @ 15'

MODEL	HP	TYPE	RPM	VOLTAGE	MAX AMPS @ 230V*	MAX HEAD	MAX FLOW*
AP-1-HH	1	10 ODP	3450	115/230	7.4	75 ft.	9780 GPH @ 4'
AP-1 1/2-HH	1 1/2	10 ODP	3450	230	8.6	79 ft.	10,980 GPH @ 5'
AP-2-HH	2	10 ODP	3450	230	9.9	81 ft.	12,480 GPH @ 7'
AP-3-HH	3	10 ODP	3450	230	13.4	90 ft.	13,380 GPH @ 7'
AP-5-HH	5	10 ODP	3450	230	19.2	93 ft.	17,220 GPH @ 12'

*Watt and Amp ratings are typical, but can vary with different motors and operating voltages

For More Information, give us a call or visit us on the Web: **503.356.5888**
www.performancepropumps.com



Model: ArtesianPro High Flow
 HP: 3/4 - 5 RPM: 3450
 Date: 11/30/2010

For performance that's OFF THE CHARTS of ordinary pumps!

