

## 1/4HP Low RPM Series Artesian 2 Pond / Waterfall Pumps (4680 GPH @ 4' Head) 2" union inlet & outlet



Price: \$810.00

SKU: A2-1/4-47-C

Product Categories: [Pumps for Koi Ponds and Waterfalls](#)

Product Page: <https://hanoverkoifarms.com/product/low-rpm-series-artesian-2-pond-pump-14hp/>

### Product Summary

1/4 Horsepower Low RPM Artesian 2 self-priming pump rated for 4680 GPH at 4' head.

Low RPM Series Artesian 2 for the utmost in electrical efficiency. This pump will save you tons in electricity costs! The Artesian 2 features a 2" discharge and is one of our best selling self-priming inline pumps.

FREE SHIPPING

### Product Description

The Artesian2 pumps are molded of tough glass reinforced polypropylene. They are extremely strong and built for long term service. Their good self-priming characteristics allow them to be positioned above the supply source. The carefully designed internal water passages provide for high flow rates with minimal water noise. An easy open Lexan lid provides easy viewing and access to the oversized strainer basket. They are available in 1/8 to 1/2 hp at 1725 rpm and 1/2 to 3 hp at 3450 rpm.

PerformancePro Pumps are easy to install, inexpensive to operate, and a joy to own.

# Product Attributes

- Dimensions: N/A
- Weight: 45 lbs

# Product Gallery

## Features & Benefits

- ▶ Money saving high efficiency pump and motor units.
- ▶ Wide range of performance conditions can be matched.
- ▶ Self-priming design allows for suction lift placement.
- ▶ Long life corrosion resistant Stainless Steel shaft seals.
- ▶ Two inch unions and tallpieces are included for easy installation.
- ▶ Ready for hard wiring or can choose factory attached power cords.
- ▶ Top-of-the-line U.S. motors. All 1725 rpm units are totally enclosed for excellent protection and reliability.
- ▶ Both pump and motor are designed for quiet operation.
- ▶ Salt water kit available.

Artesian<sup>2</sup>

The Artesian<sup>2</sup> pumps are molded of tough glass reinforced polypropylene. They are extremely strong and built for long term service. Their good self-priming characteristics allow them to be positioned above the supply source. The carefully designed internal water passages provide for high flow rates with minimal water noise. An easy open Lexan lid provides easy viewing and access to the oversized strainer basket. They are available in 1/8 to 1/2 hp at 1725 rpm and 1/2 to 3 hp at 3450 rpm.



**NOTE:** Comes with 2" slip fittings

MODEL	HP	TYPE	RPM	VOLTAGE	HZ.	MAX WATTS <sup>1</sup>	WATTS @	
							MAX HEAD <sup>2</sup>	MAX FLOW <sup>3</sup>
A2-1/8-39	1/8	1Ø TEFC	1725	115/230	50/60	202	112 @ 17 ft.	165 @ 3900 GPH @ 3'
A2-1/4-47	1/4	1Ø TEFC	1725	115/230	50/60	290	170 @ 22 ft.	250 @ 4680 GPH @ 4'
A2-1/4-58	1/4	1Ø TEFC	1725	115/230	50/60	360	180 @ 23 ft.	320 @ 5760 GPH @ 5'
A2-1/3-63	1/3	1Ø TEFC	1725	115/230	50/60	450	200 @ 26 ft.	440 @ 6300 GPH @ 6'
A2-1/2-76	1/2	1Ø TEFC	1725	115/230	50/60	630	260 @ 26 ft.	630 @ 7560 GPH @ 8'

MODEL	HP	TYPE	RPM	VOLTAGE	HZ.	MAX WATT/AMPS <sup>1</sup>	AMPS @ 230 volt	
							MAX HEAD <sup>2</sup>	MAX FLOW <sup>3</sup>
A2-3/4-H	3/4	1Ø ODP	3450	115/208-230	60	1270/5.6	2.7 @ 55 ft.	4.8 @ 8680 GPH @ 11'
A2-1-HF	1	1Ø ODP	3450	115/208-230	60	1640/7.3	3.5 @ 65 ft.	6.4 @ 9940 GPH @ 13'
A2-1 1/2-HF	1 1/2	1Ø ODP	3450	115/208-230	60	1940/9.0	5.9 @ 54 ft.	8.4 @ 11,400 GPH @ 17'
A2-2-HF	2	1Ø ODP	3450	208-230	60	2300/10.0	5.5 @ 55 ft.	9.8 @ 12,840 GPH @ 20'
A2-3-HF	3	1Ø ODP	3450	208-230	60	3100/13.6	7.7 @ 64 ft.	13.6 @ 14,040 GPH @ 24'

MODEL	HP	TYPE	RPM	VOLTAGE	HZ.	MAX WATT/AMPS <sup>1</sup>	AMPS @ 230V	
							MAX HEAD <sup>2</sup>	MAX FLOW <sup>3</sup>
A2-1/2-HH	1/2	1Ø ODP	3450	115/208-230	60	940/4.2	2.4 @ 54 ft.	3.3 @ 6660 GPH @ 7'
A2-3/4-HH	3/4	1Ø ODP	3450	115/208-230	60	1250/5.6	3.2 @ 70 ft.	4.2 @ 7140 GPH @ 8'
A2-1-HH	1	1Ø ODP	3450	115/208-230	60	1680/7.4	4.1 @ 78 ft.	5.8 @ 8580 GPH @ 10'
A2-1 1/2-HH	1 1/2	1Ø ODP	3450	115/208-230	60	1970/9.1	5.5 @ 83 ft.	7.5 @ 9600 GPH @ 13'
A2-2-HH	2	1Ø ODP	3450	208-230	60	2220/9.9	5.0 @ 86 ft.	8.4 @ 11,040 GPH @ 16'
A2-3-HH	3	1Ø ODP	3450	208-230	60	2900/13.1	7.1 @ 93 ft.	12.2 @ 12,000 GPH @ 18'

<sup>1</sup>Watt and Amp ratings are typical, but can vary with different motors and operating voltages.

For More Information, give us a call or visit us on the Web: **503.356.5888**  
[www.performancepropumps.com](http://www.performancepropumps.com)

## Specifications

Artesian <sup>2</sup> Low RPM									
MODEL	HP	TYPE	RPM	VOLTAGE	HZ.	MAX WATTS	WATTS @ MAX HEAD <sup>2</sup>	WATTS @ MAX FLOW <sup>3</sup>	LIST PRICE
A2-1/8-39	1/8	1Ø TEFC	1725	115/230	50/60	202	112 @ 17 ft.	165 @ 3900 GPH @ 3'	\$679.00
A2-1/4-47	1/4	1Ø TEFC	1725	115/230	50/60	290	170 @ 22 ft.	250 @ 4680 GPH @ 4'	\$710.00
A2-1/4-58	1/4	1Ø TEFC	1725	115/230	50/60	360	180 @ 23 ft.	320 @ 5760 GPH @ 5'	\$729.00
A2-1/3-63	1/3	1Ø TEFC	1725	115/230	50/60	450	200 @ 26 ft.	440 @ 6300 GPH @ 6'	\$787.00
A2-1/2-76	1/2	1Ø TEFC	1725	115/230	50/60	630	260 @ 26 ft.	630 @ 7560 GPH @ 8'	\$817.00

Artesian <sup>2</sup> High Flow									
MODEL	HP	TYPE	RPM	VOLTAGE	HZ.	MAX WATT/AMPS <sup>1</sup>	AMPS @ 230V @ MAX HEAD <sup>2</sup>	AMPS @ 230V @ MAX FLOW <sup>3</sup>	LIST PRICE
A2-1/2-HF	1/2	1Ø ODP	3450	115/230	60	930/4.2	2.2 @ 49 ft.	3.5 @ 7300 GPH @ 8'	\$649.00
A2-3/4-HF	3/4	1Ø ODP	3450	115/208-230	60	1270/5.6	2.7 @ 55 ft.	4.8 @ 8680 GPH @ 11'	\$708.00
A2-1-HF	1	1Ø ODP	3450	115/208-230	60	1640/7.3	3.5 @ 65 ft.	6.4 @ 9940 GPH @ 13'	\$790.00
A2-1 1/2-HF	1 1/2	1Ø ODP	3450	115/208-230	60	1940/9.0	5.9 @ 54 ft.	8.4 @ 11,400 GPH @ 17'	\$823.00
A2-2-HF	2	1Ø ODP	3450	208-230	60	2300/10.0	5.5 @ 55 ft.	9.8 @ 12,840 GPH @ 20'	\$911.00
A2-3-HF	3	1Ø ODP	3450	208-230	60	3100/13.6	7.7 @ 64 ft.	13.6 @ 14,040 GPH @ 24'	\$999.00

Artesian <sup>2</sup> High Head									
MODEL	HP	TYPE	RPM	VOLTAGE	HZ.	MAX WATT/AMPS <sup>1</sup>	AMPS @ 230V @ MAX HEAD <sup>2</sup>	AMPS @ 230V @ MAX FLOW <sup>3</sup>	LIST PRICE
A2-1/2-HH	1/2	1Ø ODP	3450	115/230	60	940/4.2	2.4 @ 54 ft.	3.3 @ 6660 GPH @ 7'	\$649.00
A2-3/4-HH	3/4	1Ø ODP	3450	115/208-230	60	1250/5.6	3.2 @ 70 ft.	4.2 @ 7140 GPH @ 8'	\$706.00
A2-1-HH	1	1Ø ODP	3450	115/208-230	60	1680/7.4	4.1 @ 78 ft.	5.8 @ 8580 GPH @ 10'	\$760.00
A2-1 1/2-HH	1 1/2	1Ø ODP	3450	115/208-230	60	1970/9.1	5.5 @ 83 ft.	7.5 @ 9600 GPH @ 13'	\$823.00
A2-2-HH	2	1Ø ODP	3450	208-230	60	2220/9.9	5.0 @ 86 ft.	8.4 @ 11,040 GPH @ 16'	\$911.00
A2-3-HH	3	1Ø ODP	3450	208-230	60	2900/13.1	7.1 @ 93 ft.	12.2 @ 12,000 GPH @ 18'	\$999.00

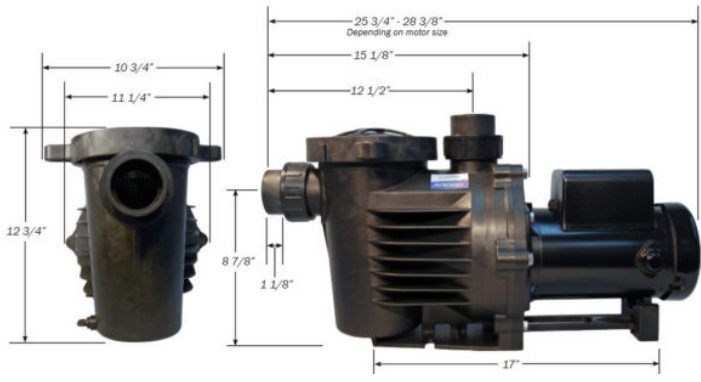
  

**Features & Options**

- Designed to operate at any pressure on specified performance curve.
- Minimum recommended continuous flow rate of five gallons per minute.
- 2" female NPT suction and discharge ports.
- All 1725 RPM motors are enclosed for extra protection and long life.
- 316 stainless steel shaft seal.
- A 16 AWG, 8 ft. cord with 115 volt plug is optional (1725 rpm, 1/2HP model).
- A 12 AWG, 8 ft. cord with 115 volt plug is optional (3450 rpm, 1HP model).
- Saltwater kits available for an additional \$91.00.
- A 55.00 handling & packaging fee applies to each unit.
- 3 year limited warranty for fresh water applications.
- 1 year limited warranty for salt water applications.

<sup>1</sup>Watt and Amp ratings are typical, but may vary with alternate motors and operating voltages.

PerformancePro Pumps Inc.



Pump Model: Artesian2  
 Impeller: Various RPM: 1725  
 Horsepower: 1/8-1/2 Date: 07/01/2011

For performance that's OFF THE CHARTS of ordinary pumps!

